

PRIMIX

LABORATORY MIXERS GUIDE

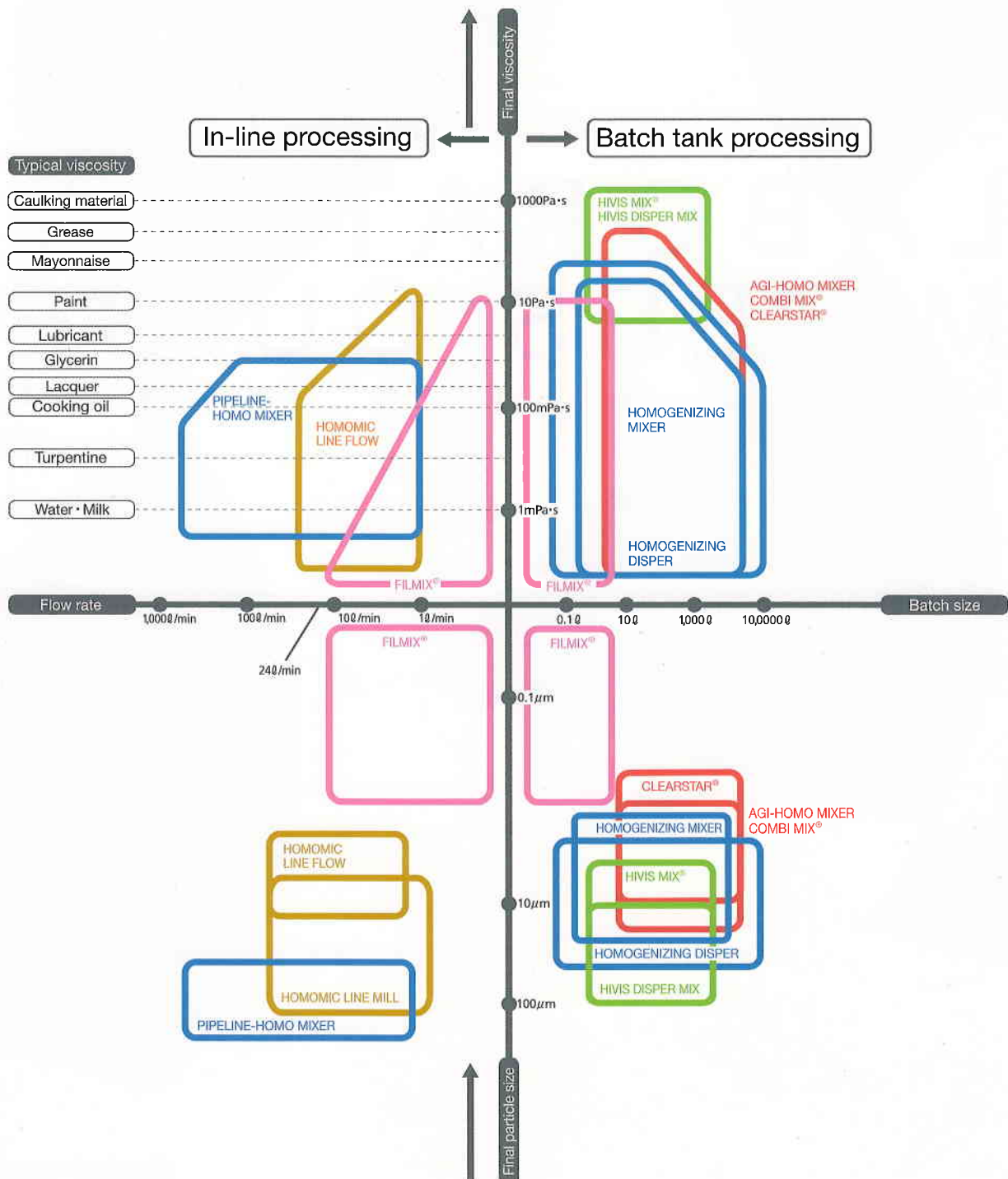


English Version

State-of-the-Art Mixing Technology

PRIMIX Corporation's technology can be seen in advanced technological applications in many fields, most notably the IT, chemical, pharmaceutical, cosmetics, and food industries, to name a few. PRIMIX contributes to new product development and innovation in the fields of mixing, dispersion, emulsification, pulverization, and kneading with mixers such as the long selling Homogenizing Mixer, a triple-shaft planetary Hivis Disper Mix, and the newest innovation, the Filmix®. Furthermore, we have been highly recognized for our experience in scaling-up processes based on test data and mixing theory. PRIMIX promises to continue evolving through the pursuit of the best mixing technology.

Mixer Performance Chart





Emulsifier/Dispenser

P3~4
LABOLUTION®

P5
Sterilize-in-Place Type
LABOLUTION®

P6
AUTO MIXER
Model 20, Model 40

P7
HOMOGENIZING MIXER
MARK II Model 2.5

Vacuum Emulsifying Mixer

P8
HOMOGENIZING DISPER
Model 2.5

P9
AGI-HOMO MIXER
Model 2M-03, 2M-05, 2M-1

P10
AGI-HOMO MIXER
Model 2M-2, Model 2M-5

P11
CLEARSTAR®
Model 5

Multi-purpose Vacuum Emulsifying and Dispensing Device

P12
COMBI MIX®
Model 3M-5

Mixer/Kneader

P13
HIVIS MIX®
Model 2P-03, Model 2P-1

P14
HIVIS DISPER MIX
Model 3D-5

Mixer for Designing Nanometer-sized Particles

P15~17
FILMIX®
Model 30-30, Model 40-40

※The capacity shown in the specifications is that for water. The actual capacity may depend on the material being processed.

Rentals Available!



At PRIMIX we have many demo R&D models available for use. Please feel free to discuss your mixing challenges with our Customer Relations representatives.





Ultra-High-Speed Multi-Use Mixing System

LABOLUTION®

De Facto Standard of Emulsifiers / Dispersers

Features

- With a maximum speed of 22,000r/min (dependent on mixing head), data can be obtained in a wider domain. Precise data can be obtained for scale-up.
- Uses a feedback system that keeps rotor speed constant despite variations in load.
- Compatible with a wide variety of mixing heads (small-batch, continuous, and vacuum types).
- Standard-equipped with an SD card data-logging system (speed, load, temperature) and temperature sensor.



Applications

Chemical : silicone oils, waxes, inks, paints, dyes

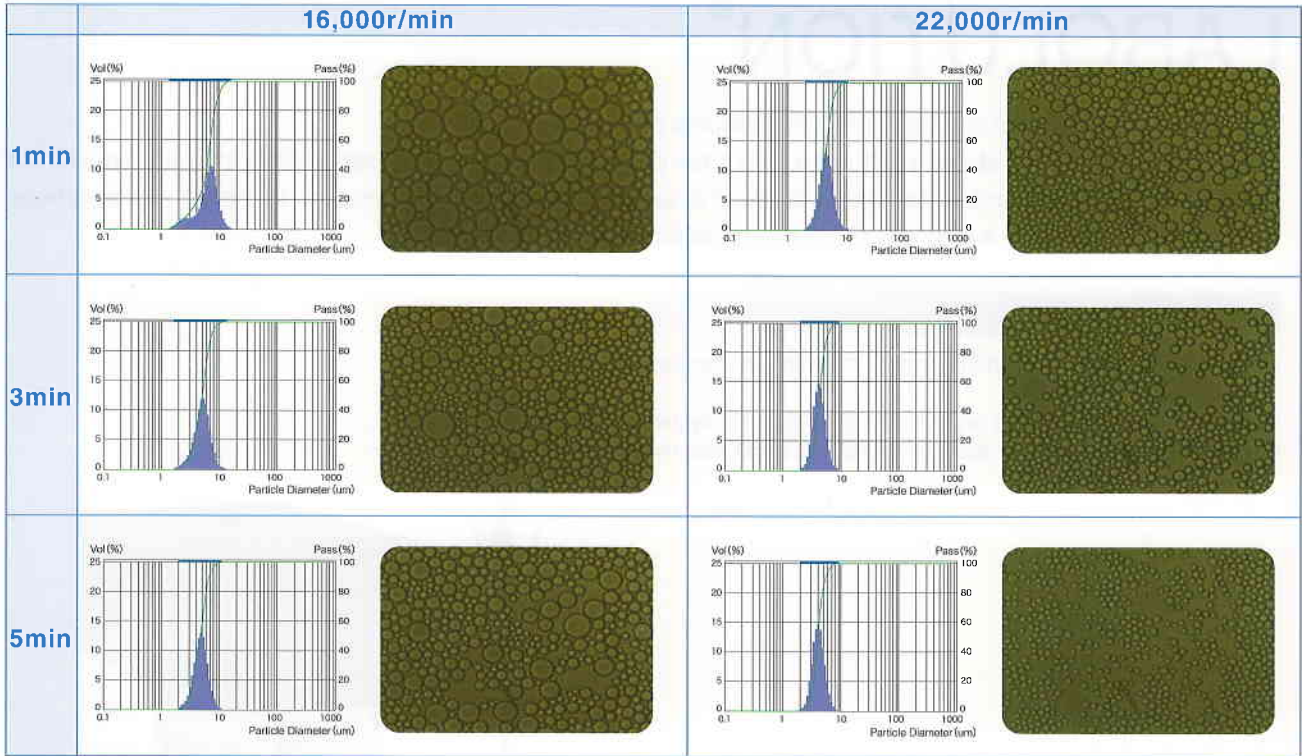
Cosmetic : lotions, creams, rinses, conditioners

Pharmaceutical : intravenous solutions, pill coatings, film coatings, capsule materials

Food : dressings, ice creams, yogurts, coffee creamers

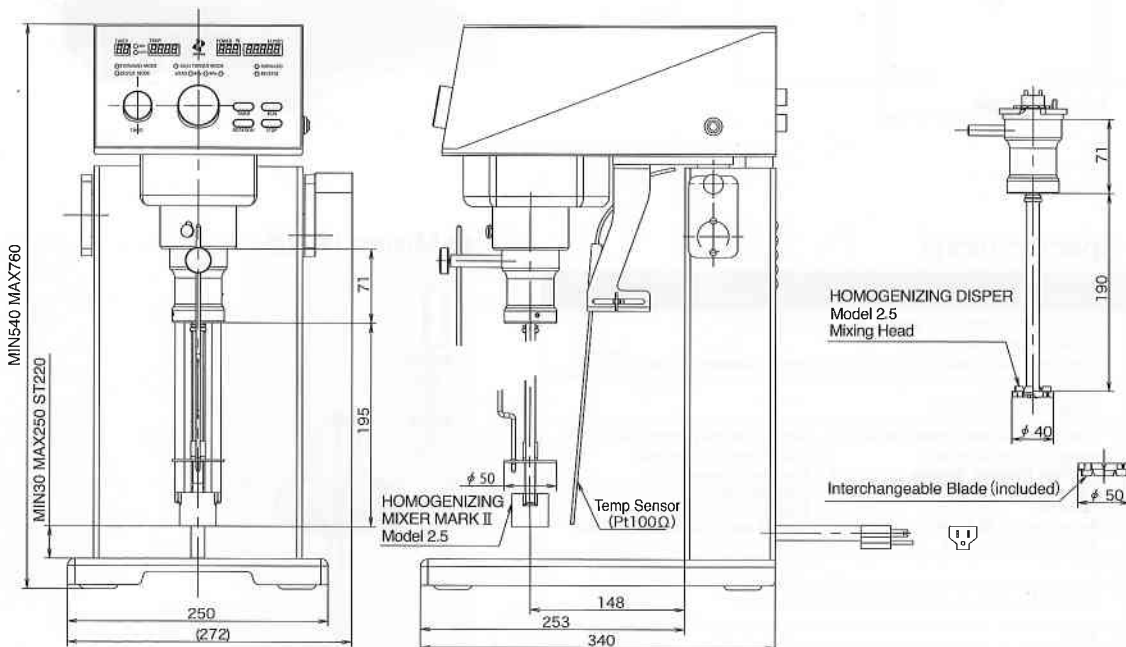
IT : ceramic materials, metallic materials, electronic materials, display materials

Emulsification Performance (Liquid paraffin emulsification test)



◆ Standard Specifications

Power Supply	AC 95-110V 50/60Hz 1 phase 15A Cable length: 1.5m Plug: Grounded 2P plug (3-prong→2-prong adapter included)	
Motor	0.75kW Speed: 500-22,000r/min	
Mixing Head	HOMOGENIZING MIXER MARK II Model 2.5 Speed: 500-22,000r/min Rotation: Forward, reverse Capacity: 3L Materials: Wetted parts - SUS304 Sleeve bearing - PTFE	HOMOGENIZING DISPERSER Model 2.5 Speed: 500-10,000r/min Rotation: Forward Capacity: 5L Materials: Wetted parts - SUS316, SUS329J1
Control Panel	Display: speed, power, temperature, timer, load Rotation control: adjustable in 100r/min increments	
Approx. Weight	23kg	





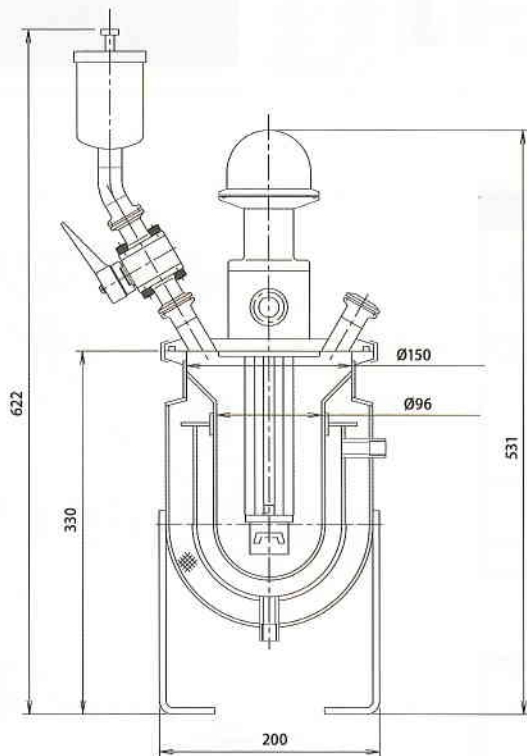
Sterilize-in-Place Type LABOLUTION®

SIP type for research on dosing and investigational drugs.

Since suspensions for sterile products cannot be passed through a sterilization filter, it is imperative that the product be prepared under sterile conditions. For such applications, it is possible to mount a mixing head that can be sterilized inside a high-pressure steam sterilizer.

Features

- Uses a feedback system that keeps rotor speed constant despite variations in load.
- Standard-equipped with an SD card data-logging system (speed, load).
- Clean room compatible due to the use of a brushless motor.



◆ Standard Specifications

Power Supply	AC 95-110V 50/60Hz 1 phase 15A Cable length: 1.5m Plug: Grounded 2P plug (3-prong → 2-prong adapter included)	
Motor	0.75kW Speed: 500-22,000r/min	
Mixing Head	HOMOGENIZING MIXER MARK II Model 2.5 Speed: 500-22,000r/min Rotation: Forward, reverse Capacity: 3L Materials: Wetted parts - SUS304 Sleeve bearing - PTFE	HOMOGENIZING DISPER Model 2.5 Speed: 500-10,000r/min Rotation: Forward Capacity: 5L Materials: Wetted parts - SUS316, SUS329J1
Control Panel	Display: speed, power, temperature, timer, load Rotation control: adjustable in 100r/min increments	
Approx. Weight	23kg	

◆ Mixing Head





High-Speed Emulsifier/Dispenser

Interchangeable Mixing Heads, Speed (rpm) Display, Forward / Reverse Switch, Timer

AUTO MIXER

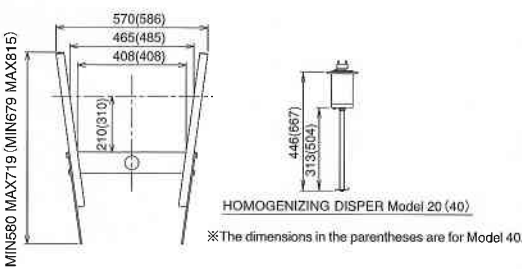
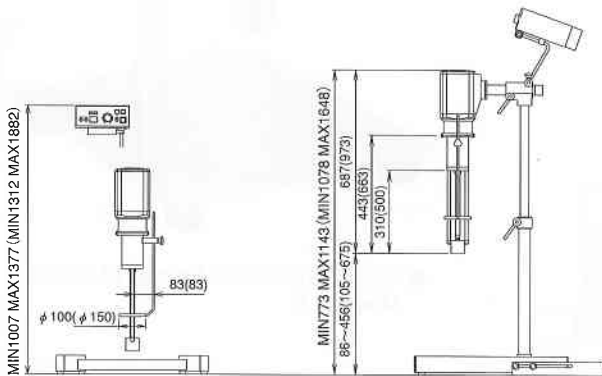
Model 20(20L), Model 40(50L)

For research, testing, and product development.

Multi-functional and highly reliable. Rotor/stator construction for high speed mixing. The rotor mixes fluid at 70Pa/s, and can be spun in reverse to efficiently mix in powder materials. Moreover, changing the mixing head to the Homogenizing Disper dispenser enables a variety of processes including emulsification, dispersion, and pulverization.

Features

- A feedback system ensures constant speed despite changes in viscosity and specific gravity of the material being processed, yielding accurate test data.
- Mixing heads are interchangeable between Homogenizing Mixer Mark II and Homogenizing Disper (option) depending on the purpose of processing.
- The forward and reverse directions can be used in cases such as powder mixing for efficient and uniform emulsification and dispersion.

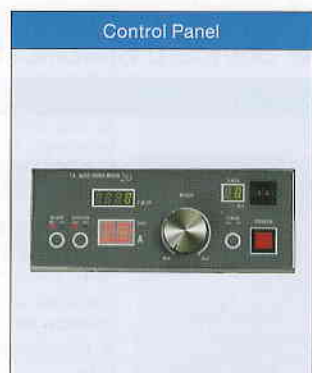


Mixing Heads



Standard Specifications

	Model 20	Model 40
Power Supply	AC 100 V 50/60 Hz 1 phase Cable length: 1.5m Plug: Grounded 2P plug (3-prong → 2-prong adapter included)	AC 200 V 50/60 Hz 1 phase Cable length: 1.5m Plug: Grounded 3P twist-lock, water-resistant rubber cap
Motor	0.75 kW Speed: 500-9,000r/min (Mixing Head Option HOMOGENIZING DISPER Speed: 500-8,000r/min)	1.5kW Speed: 500-8,000r/min (Mixing Head Option HOMOGENIZING DISPER Speed: 500-7,000r/min)
Materials	Wetted parts - SUS304 Sleeve bearing*1 - CAC502A Baffle plate*2 - PTFE	Wetted parts - SUS304 Sleeve bearing*1 - CAC502A Baffle plate*2 - PTFE
Control Panel	Instruments: ammeter, tachometer, timer Operation: RPM dial, forward/reverse switch, Mixer/Disper changeover switch, timer start switch, timer set switch	Instruments: ammeter, tachometer, timer Operation: RPM dial, forward/reverse switch, Mixer/Disper changeover switch, timer start switch, timer set switch
Capacity	20L (recommended vessel: φ300mm×410mm)	50L (recommended vessel: φ400mm×510mm)
Approx. Weight	30kg	40kg



*1 Also available in PTFE and SUS304.
*2 Also available in SUS304.



High-Speed Emulsifier/Dispenser

HOMOGENIZING MIXER MARK II

Model 2.5(3L)

Half a century has passed since the Homogenizing Mixer, the best-selling high-speed emulsifier/disperser, was developed and introduced.

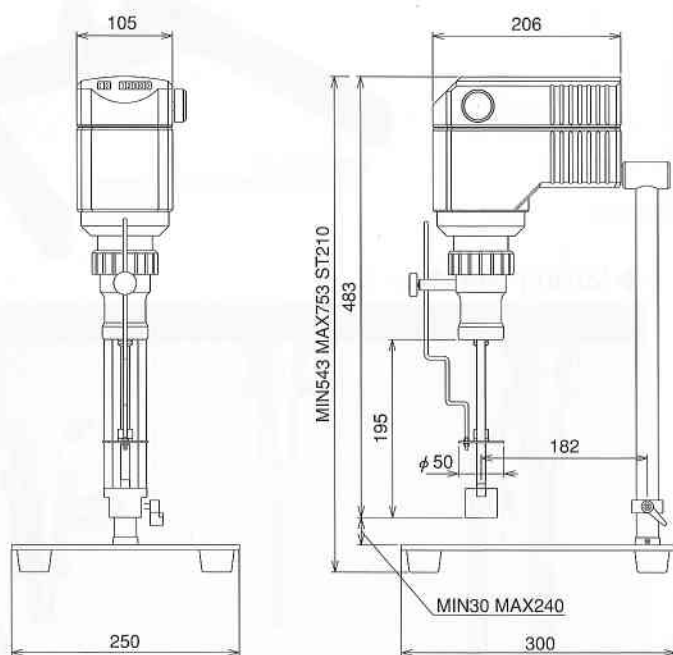
Despite the ever-changing world around it, the Homogenizing Mixer has been used in a variety of industrial fields such as chemicals, pharmaceuticals, cosmetics, and foods. The mixer has earned its well-established and long-standing reputation by achievements in areas such as new product development and product quality improvement.

Features

- The mixing head can be removed easily for cleaning.
- The mixing head uses rotor/stator construction for high-speed mixing, emulsification, and dispersion.
- The brushless motor used does not generate dust, reduces noise, and stabilizes rotation speed at low speeds.



▲ HOMOGENIZING MIXER MARK II
Model 2.5



◆ Standard Specifications

	Model 2.5 ^{*1}
Power Supply	AC 100V 50/60Hz 1 phase Cable length: 1.5m Plug: Grounded 2P plug (3-prong → 2-prong adapter included)
Motor	0.2kW Speed: 600-12,000r/min
Materials	Wetted parts: SUS304 Sleeve bearing ^{*2} : CAC502A
Control Panel	Instruments: ammeter, tachometer Operation: RPM dial
Capacity	3L (recommended vessel: φ145mm×225mm)
Approx. Weight	12kg

^{*1} The mixing heads of the Homogenizing Mixer Mark II Model 2.5 and Homogenizing Disper Model 2.5 are not interchangeable.

^{*2} Also available in PTFE and SUS304.



High-Speed Dispenser

HOMOGENIZING DISPERSER

Model 2.5(5L)

The Homogenizing Disper is a small scale laboratory unit for uniform dispersion applications. The mixing head can be removed, and the unit can be cleaned with ease.

Features

- High-speed mixing for uniform dispersion, and the mixing blades can be easily interchanged.
- The mixing head can be removed for ease of cleaning.
- The brushless motor used does not generate dust, reduces noise, and stabilizes rotation speed at low speeds.

◆ Mixing Heads



▲ HOMOGENIZING DISPERSER Model 2.5

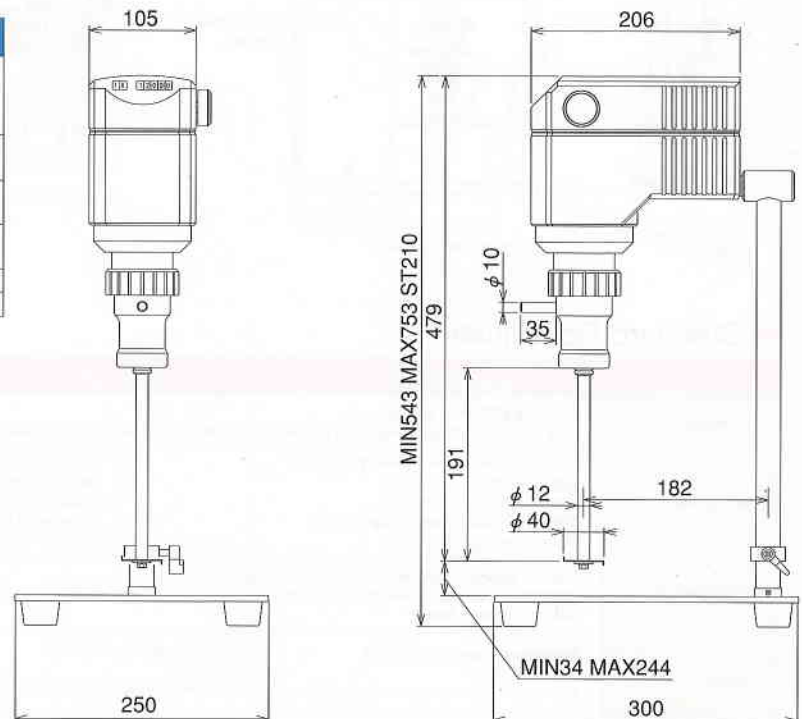
◆ Standard Specifications

Power Supply	AC 100V 50/60Hz 1 phase Cable length: 1.5m Plug: Grounded 2P plug (3-prong → 2-prong adapter included)
Motor	0.2kW Speed: 600-6,000r/min
Materials	Wetted parts: SUS304, SUS329J1
Control Panel	Instruments: ammeter, tachometer Operation: RPM dial
Capacity	5L
Approx. Weight	12kg

◆ Flow Pattern



The disperser generates strong vortex motion.





Desktop Vacuum Emulsification/Dispersion Machine

AGI-HOMO MIXER

Model 2M-03, Model 2M-05, Model 2M-1

The Agi-Homo Mixer is available in three sizes. It is a compact vacuum emulsifying/dispersing device ideal for investigating prescriptions.

Features

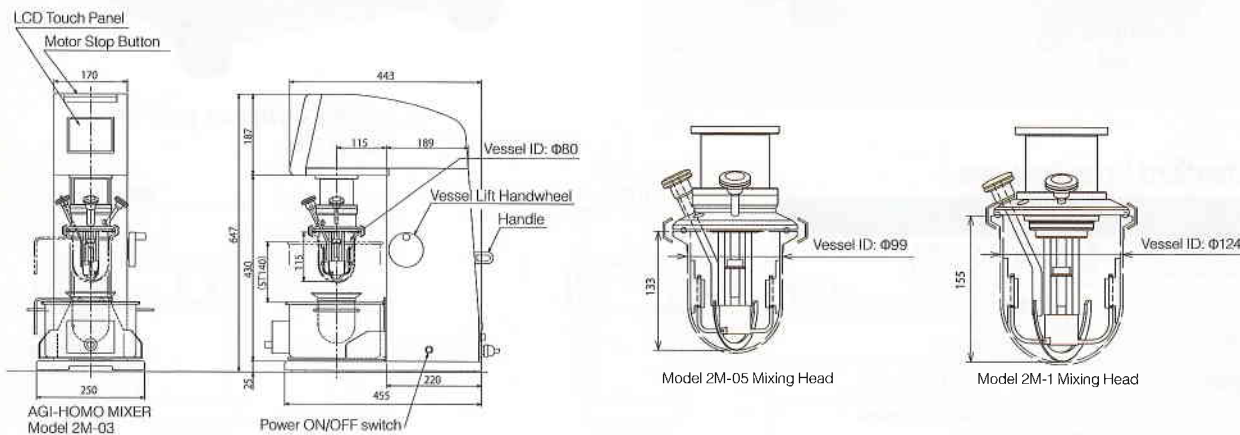
- R&D vacuum emulsifying device for the preparation of viscous creams, ointments, and gels.
- Choose from processing volumes of 300mL, 500mL, and 1L.
- The mixing is performed by two mixing heads: the Homogenizing Mixer and the Paddle Mixer. Both the Homogenizing Mixer and Paddle Mixer can be operated in the forward and reverse directions for more efficient vacuum emulsification.
- The design of the machine and touch panel were renewed to improve ease of operation.
- Data can be logged on an SD card during operation without special software (option).
- A transparent water bath can be used to observe the contents of the vessel during both heating and cooling (option).
- The lift can also be adapted with an electronic drive (option).
- The new construction makes disassembly and cleaning much easier.

Applications

Cosmetics: Basic cosmetics (cream, lotion, sunscreen, foundation, face wash)
 Pharmaceuticals: Creams, ointments, suppositories, gels, jellies, syrups
 Food: Dressing, mayonnaise, jams, flour paste, soft capsules



▲ AGI-HOMO MIXER Model 2M-1



◆ Standard Specifications

	Model 2M-03	Model 2M-05	Model 2M-1
Power Supply	AC 100V 50/60Hz 1 phase Plug: Grounded 2P water-resistant rubber coated cap 3-prong → 2-prong adapter included		
Mixing Head	HOMOGENIZING MIXER MARK II Model 2.5 Motor: 0.22kW Speed: 1,400-12,000r/min Material: SUS304 (wetted parts), other Sleeve bearing: PTFE	PADDLE MIXER Motor: 0.12kW Speed: 20-150r/min Material: SUS304 (wetted parts), other Scraper: PTFE	
Control Panel	Display: Speed, vessel temperature, amperage, run time Operation: Run/stop, forward/reverse, timer Settings: Speed, timer		
Vessel	Processing capacity: 0.21-0.3L Volume: 0.5L Material: Heat-resistant, hardened glass	Processing capacity: 0.33-0.5L Volume: 0.9L Material: Heat-resistant, hardened glass	Processing capacity: 0.5-1.0L Volume: 1.6L Material: Heat-resistant, hardened glass
Approx. Weight	33kg		



Vacuum Emulsification Machine (for laboratory use)

Mixing Heads are Interchangeable for 2L and 5L sizes.

AGI-HOMO MIXER

Model 2M-2, Model 2M-5

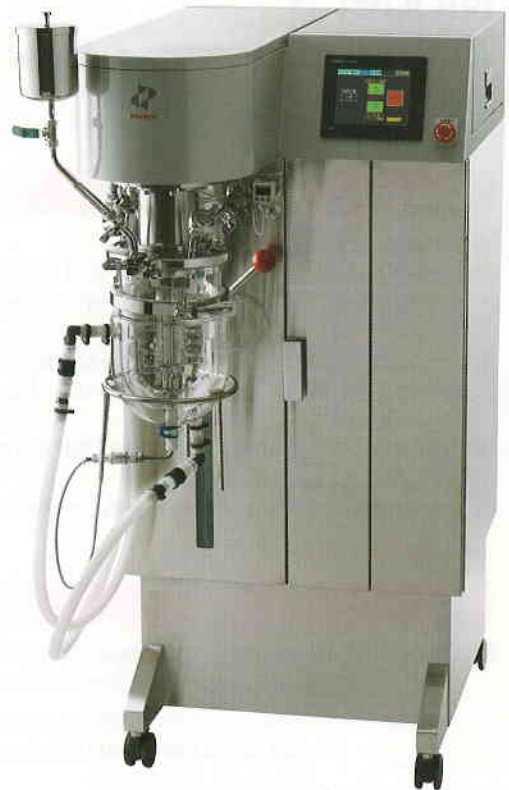
A compact laboratory vacuum emulsifying machine with functions required for pharmaceutical and cosmetic research.

Features

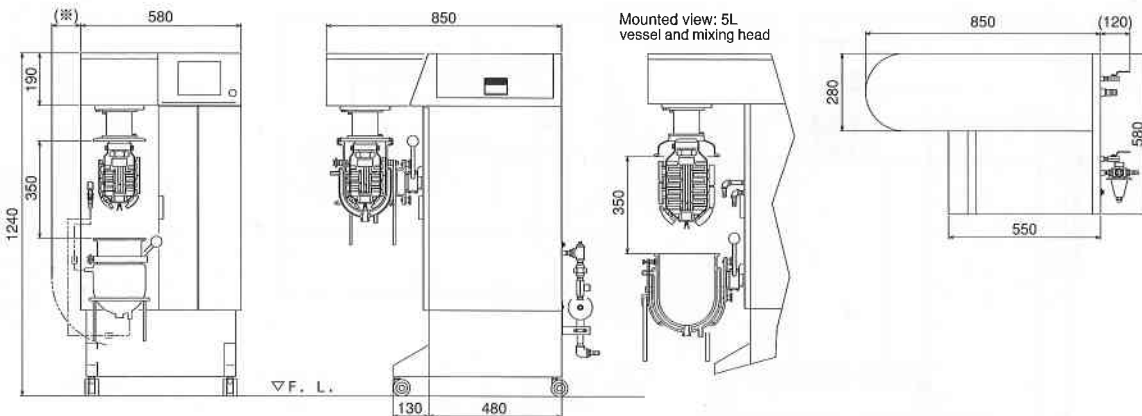
- Very easy to set up: just connect the water and electricity. A vacuum emulsification machine that is all-in-one with a vacuum pump and a water circulation unit.
- The vessel and mixing head (Homogenizing Mixer and Paddle Mixer) can be changed between 2L and 5L sizes.
- The hardened glass vessel can be heated, cooled, and drawn to vacuum. The condition of the product can be observed during mixing.
- The Paddle Mixer is equipped with scrapers that remove material from the inner wall of the vessel to maintain a uniform temperature throughout the mixture.
- Production can be expanded to 10,000L.

Applications

Cosmetic : basic cosmetics (creams, milky lotions, lotions), foundations, conditioners, face wash foams, etc.
 Pharmaceutical : ointments, creams, syrups, suspensions
 Food : dressings, mayonnaise, jams

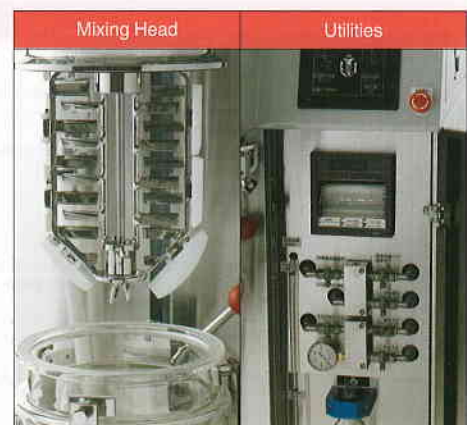


▲ AGI-HOMO MIXER Model 2M-2



Standard Specifications

	Model 2M-2	Model 2M-5
Power Supply	AC 95-110V 50/60Hz 1 phase 15A Cable length: 3m Plug: Grounded 2P, water-resistant rubber cap. ③ 3-prong → 2-prong adapter included	
Mixing Head	HOMOGENIZING MIXER MARK II Model 2.5 Motor: 0.4kW Speed: 1,000-12,000r/min Materials: SUS304 (wetted parts) Sleeve bearing: PTFE	PADDLE MIXER Motor: 0.4kW Speed: 15-120r/min Materials: SUS304 (wetted parts) Sleeve bearing: PTFE
Control Panel	Display: Speed, temperature, current, run time, errors Operation: Run/stop, lift up/down, vacuum pump, constant temp. water bath Settings: Speed, temperature, timer	
Vessel	Processing capacity: 2L Volume: 4L Material: Hardened glass (with jacket)	Processing capacity: 5L Volume: 7L Material: Hardened glass (with jacket)
Data Recorder	Speed, temperature, current	
Internal Devices	Constant temp. water bath, vacuum pump	
Approx. Weight	170kg	





Small-Volume Vacuum Emulsifying Device/System

CLEARSTAR® Model 5

Vacuum emulsifying mixer enabled with circulation outside of the vessel.

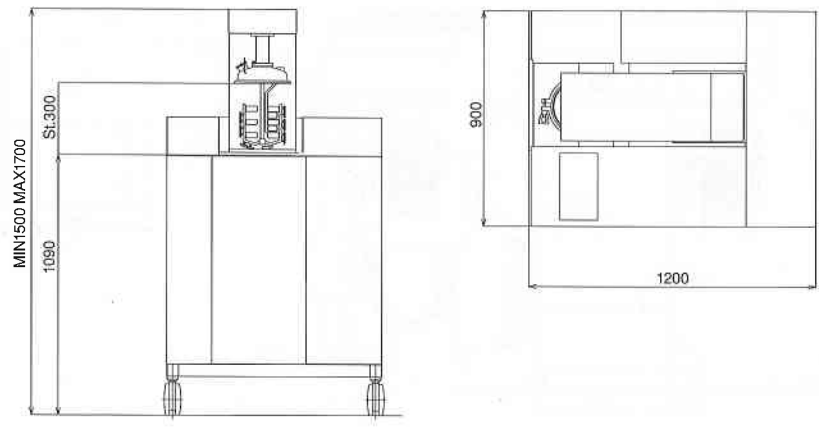


Features

- Scalable to mass production.
- Configured with an Anchor Mixer and the newly redesigned Neo Mixer® at the base. This allows for greater shear and finer atomization of material.
- By circulating the material outside of the vessel with the flow generated by the Neo Mixer®, a uniform mixture can be produced in a shorter period of time.
- Data logging capability through a USB connection.
- Designed for easy disassembly.
- The seals used allow the vessel to be filled completely for cleaning.

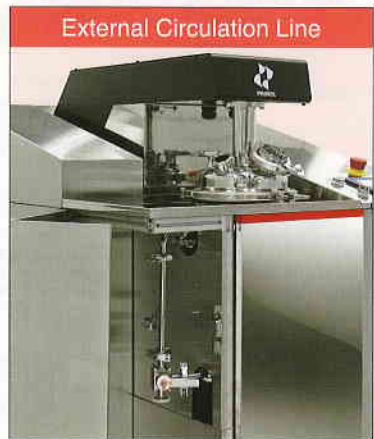
Applications

- Pharmaceutical: ointments, gels, eye ointments, suppositories, topical agents, jellies, injection fluids, intravenous fluids, syrup, cream
- Cosmetic: basic cosmetics (cream, sunscreen, foundation, face wash), hair care products (shampoo, treatments, conditioner), mascara, lipstick, lip cream, toothpaste
- Food: mayonnaise, jams, flour paste, dressings, soft capsules, chocolate, soups



◆ Standard Specifications

Power Supply	AC 200V 50/60Hz 3 phase Power cable: 5m Plug: Grounded 3P, water-resistant rubber cap (Ⓢ)	
Mixing Head	NEO MIXER® Motor: 5.5kW fully enclosed, fan- cooled, indoor-use Speed: 30m/s Material: SUS316L, SUS329J1	ANCHOR MIXER Motor: 0.4kW fully enclosed, fan-cooled, indoor-use Speed: 3m/s Material: SUS316L Scraper: PTFE
Control Panel	Display: Speed, vessel temperature, current, run time, errors Operation: Run/stop, forward/reverse, timer, lift up/down, vacuum/pressure pump on/off Settings: Speed, timer	
Vessel	Processing capacity: 1.5-5L Volume: Approx. 8L Material: SUS316L (wetted parts), SUS304 (jacket)	
Approx. Weight	400kg	





Multi-Purpose Vacuum Emulsifying and Dispersing Device

COMBI MIX[®] Model 3M-5

By combining different mixing heads, this R&D machine can be used in a wide range of applications from emulsification and dispersion to high viscosity mixing, heating and cooling, and vacuum conditions.

Features

- The mixing head is selected based on the material to be processed from the following:
 - High-speed dispersers: Homogenizing Mixer, Neo Mixer[®], etc.
 - Mid-speed dispersers: Homogenizing Disper, Turbine Mixer
 - Low-speed dispersers: Anchor Mixer, Anchor Mixer with Ribbon
- EC sensor attachment (option) for catching the inversion point of an inverted emulsification is available.
- Actual scale-up experience: up to 10,000L

Applications

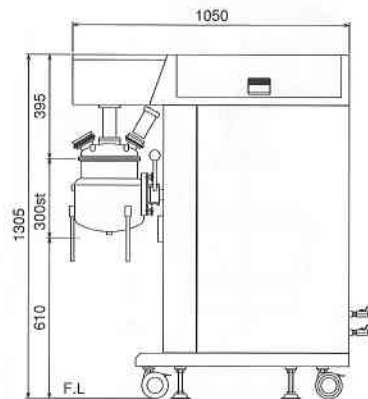
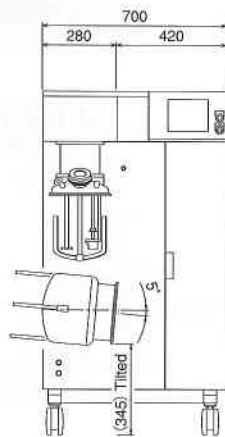
Pharmaceutical: photography emulsions, wax, various adhesives, sealing materials, caulking material, inks, paint, dyes

Cosmetic: various creams, toothpaste, lotion, shampoo, lipstick

Pharmaceutical: various ointments, suppositories, poultice

Food: dressing, flour paste

Electronic material: magnetic materials, ceramics, etc.



◆ Standard Specifications

Power Supply	AC 200V 50/60Hz 3 phase Cable length: 5m Plug: Grounded 3P, water-resistant rubber cap ②		
Mixing Head	HOMOGENIZING MIXER MARK II 2.5 Motor: 0.4kW Speed: 2,000-12,000r/min Material: SUS304 (wetted parts) Sleeve bearing: CAC502A	HOMOGENIZING DISPER Motor: 0.4kW Speed: 2,000-8,000r/min Material: SUS304 (wetted parts), SUS329J1	ANCHOR MIXER Motor: 0.4kW Speed: 20-200r/min Material: SUS304
Control Panel	Display: Speed, temperature, current, errors Operation: Run/stop, lift up/down, light on/off, vacuum pump on/off Settings: Speed, timer		
Vessel	Processing capacity: 2.5-5L Volume: 8L Material: SUS304 With jacket, insulation panel		
Internal Devices	Vacuum pump		
Approx. Weight	300kg		



*PTFE and SUS304 options available.



Small-Batch Mixer/Kneader

HIVIS MIX[®] Model 2P-03, Model 2P-1

The blade rotates on its axis while orbiting the vessel, resulting in uniform mixing, kneading and vacuum deaeration.

Features

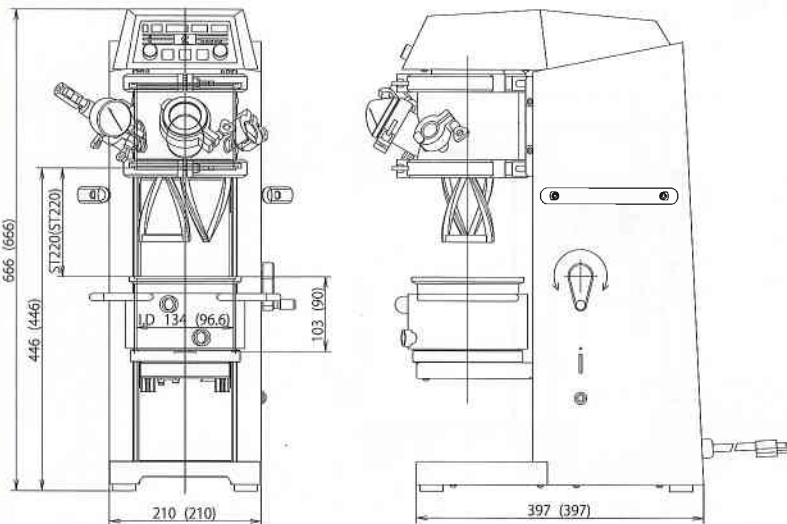
- Wide variety of uses from mixing of dry powder particle materials to kneading of high-viscosity material of 1,000 Pa·s (1,000,000 cP).
- The vessel can be sealed, allowing for mixing in a vacuum. An optional container with jacket makes available quick heating or cooling.
- Contains two twisted blades that move simultaneously on their own axis while orbiting the vessel in a planetary motion, eliminating dead space for highly uniform mixing.

Applications

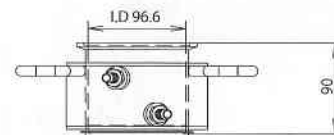
- Chemical : adhesives, putties, caulking materials, inks, ceramics
 Cosmetic : foundations, face packs, toothpaste
 Pharmaceutical : poultice, ointments
 Food : roux, packaged foods
 IT : metal pastes, fluorescent pastes, solder pastes, rechargeable batteries



▲ HIVIS MIX Model 2P-1
Half-jacketted vessel is an option.



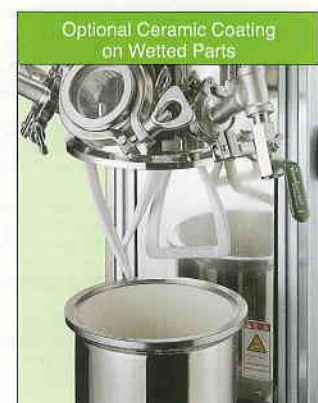
HIVIS MIX Model 2P-1



Model 2P-03 Vessel

Standard Specifications

	Model 2P-03	Model 2P-1
Power Supply	AC 100V 50/60Hz 1 phase Cable length: 1.5m Plug: Grounded 2P plug (3-prong → 2-prong adapter included)	
Mixing Head	Motor: 0.22kW Orbital rotation: 8-100r/min Axial rotation: 19-243r/min Mixing head: 2 twisted blades Material: SUS304 (wetted parts)	Motor: 0.22kW Orbital rotation: 8-100r/min Axial rotation: 19-243r/min Mixing head: 2 twisted blades Material: SUS304 (wetted parts)
Control Panel	Instruments: power display, tachometer, temp. indicator, timer Controls: RPM dial, timer adjustment dial, REC button	Instruments: power display, tachometer, temp. indicator, timer Controls: RPM dial, timer adjustment dial, REC button
Vessel	Processing capacity: 0.3L Volume: 0.7L	Processing capacity: 1L Volume: 1.4L
Approx. Weight	31kg	35kg



Optional Ceramic Coating on Wetted Parts

*Scraper attachment option available.



Triple Shaft, Planetary Type Disperser/Kneader/Mixer

HIVIS DISPER MIX

Model 3D-5

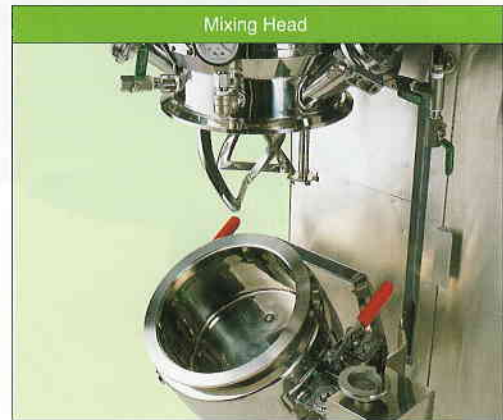
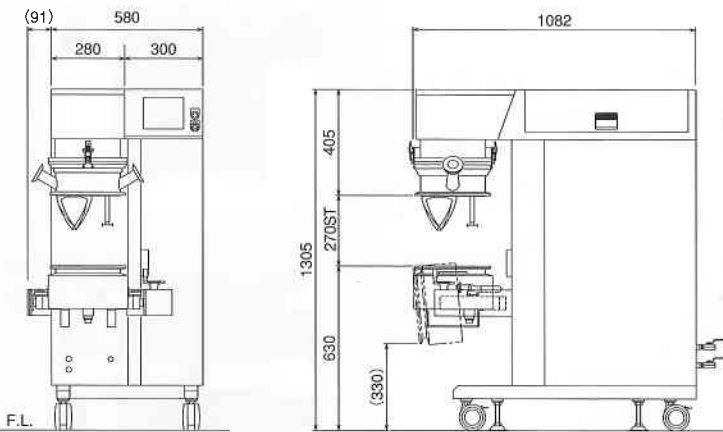
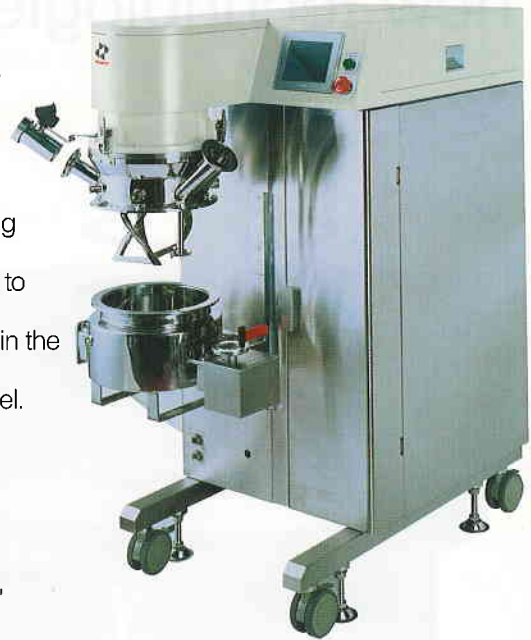
Makes high-speed dispersion possible during kneading, contributing to the development of next generation products.

Features

- The twisted blade rotates on its axis while orbiting the vessel, creating a uniform temperature within highly viscous materials.
- Compared to the previous flat blade, the twisted blade applies force to the materials vertically for uniform kneading. Furthermore, this blade gradually applies shear to the material, greatly reducing fluctuations in the load to the mixer.
- The ease-of-use has been improved through the use of a touch panel.
- Scale-up experience: up to 1,250L.

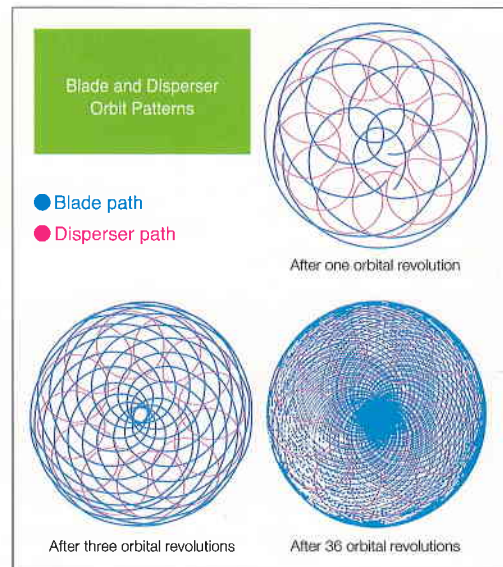
Applications

- Chemical : inks, ceramic materials, ferrites, magnetic materials, epoxy resins, cultured marble, adhesives
 Cosmetic : foundations, packs, makeup
 Pharmaceutical : ointments, poultices
 Food : roux, packaged foods
 IT: capacitors, rechargeable batteries, solder pastes, semiconductors

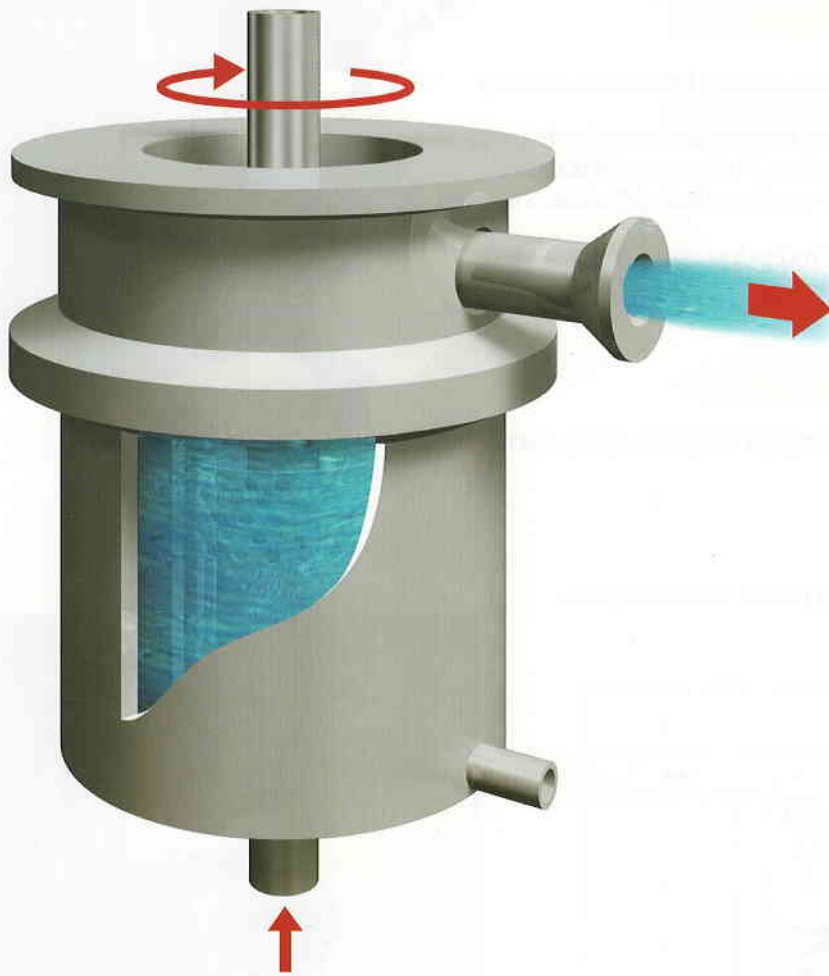


Standard Specifications

Power Supply	AC 200V 50/60Hz 3 phase Cable length: 5m Plug: Grounded 3P water-resistant rubber cap	
Mixing Head	PLANETARY MIXER Motor: 1.5kW Orbital rotation: 5-75r/min Axial rotation: 12-187r/min Material: SUS304 (wetted parts)	HOMOGENIZING DISPER Motor: 0.4kW Orbital rotation: 5-75r/min Axial rotation: 1,200-(7,500)r/min Material: SUS304 (wetted parts)
Control Panel	Display: Speed, temperature, current, run time, errors Controls: Run/stop, lift up/down, light on/off, vacuum pump on/off Settings: Speed, timer	
Vessel	Processing capacity: 3.5L-5L With jacket Volume: 6L	
Internal Devices	Vacuum pump	
Approx. Weight	340kg	



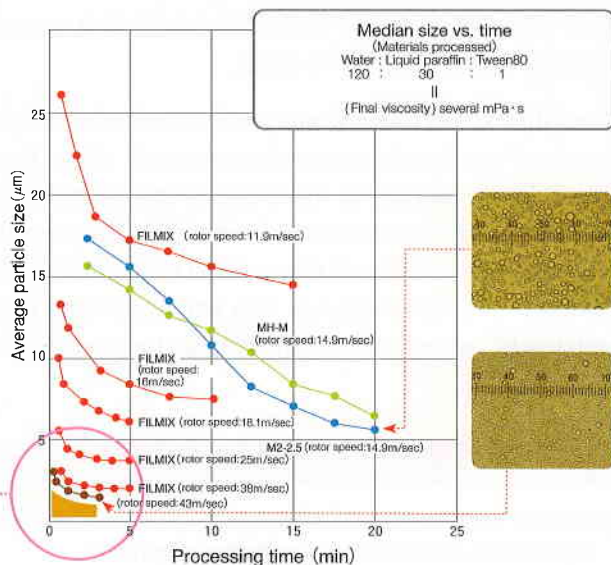
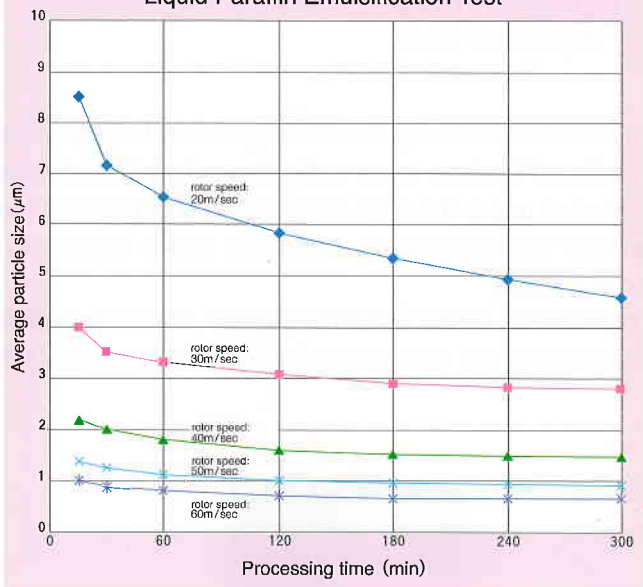
FILMIX[®] has shattered conventional wisdom in mixing, giving rise to totally new technologies.



FILMIX[®] Data Sheet

Emulsification Performance

Liquid Paraffin Emulsification Test

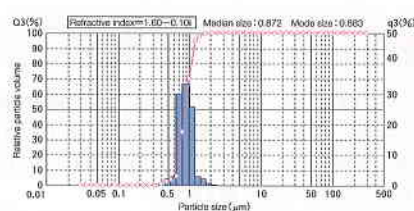
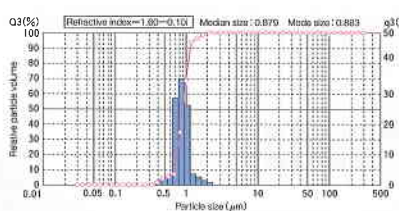
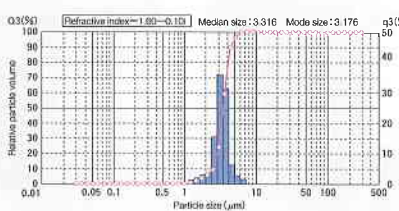


Sharp particle size distribution (Model 80-50, φ76 wire, 18mm film thickness)

Time 30sec

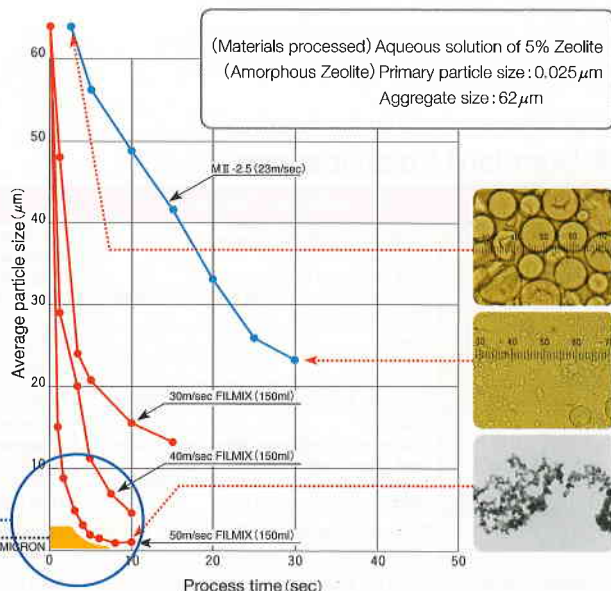
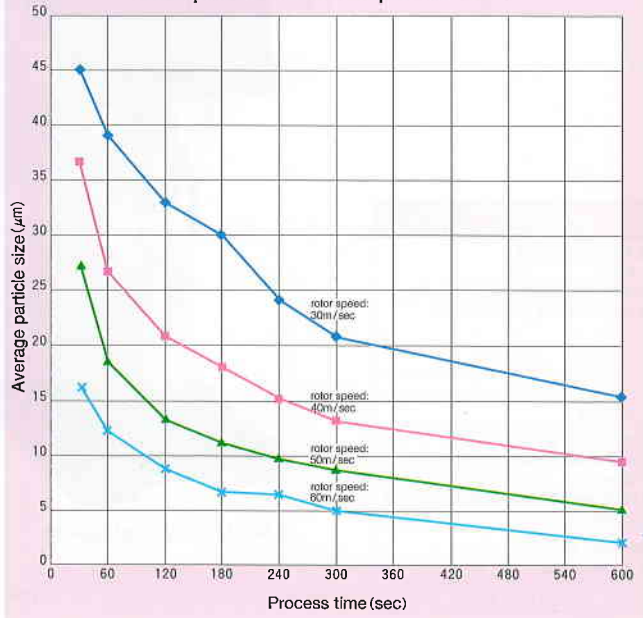
Time 60sec

Time 180sec



Dispersion Performance

Amorphous Zeolite Dispersion Test





High-Speed Thin-Film Mixer

FILMIX®

The machine that shattered conventional mixer logic.
The innovations in Filmix® represent a complete departure from mixing methods of the past.

The FILMIX® achieves sharp particle size distribution curves unattainable by previous high-speed mixers through its use of the thin-film circulation principle. When the cylindrical PC wheel spins at high speed, the liquid material forms a thin film along the sides of the vessel. This process used in the FILMIX® imparts significant shear stresses to the material between the stationary vessel and the thin film spinning around the wheel, dispersing the droplets and particles of the material into extremely fine constituents.

Furthermore, the division of flow into upper and lower parts at the vessel wall and the flow of material spinning with the PC wheel creates an intricate, turbulent flow, achieving uniform dispersions in very short periods of time.

Features

- Can be used for particle engineering (particle reduction to the nano-scale, particle size distribution alignment).
- Able to break apart secondary particles in a matter of seconds.
- Dispersion without damaging crystals or breaking macromolecules.
- Instant, uniform dispersion.
- Prevents reagglomeration of dispersed particles.
- Emulsification without the need of emulsifying agents.

Applications

- Chemical: inks, toners, resins, coating materials
- Cosmetic: basic cosmetics (creams, milky lotions, lotions)
- Pharmaceutical: DDS medication, liposome, lipid emulsions
- Food: seasonings, additives
- IT: ceramic materials, metallic materials, electronic materials, display materials



▲ FILMIX® Model 40-40



▲ FILMIX® Model 30-30

Photo not to scale.

Standard Specifications

	Model 30-30	Model 40-40
Power Supply	AC 95-110V 50/60Hz 1 phase 15A Cable length: 1.5m Plug: Grounded 2P plug (3-prong → 2-prong adapter included) Power rating: 750W	AC 200V 50/60Hz 1 phase 15A Cable length: 1.5m Plug: Grounded 3P 250V 20A Twist-lock plug Current rating: 6A* at 30m/s, 4.5A at 40m/s
Motor	0.75kW	0.75kW
Speed	0.7-29.9m/s	5-40m/s
Materials	SiC (weir, inner vessel), Zirconia (PC Wheel)	Wetted parts: SUS304
Control Panel	Controller 7 Segment LED Display: Temp., power output, load, speed, timer Speed adjustment: Increments of 100r/min Data logging device: SD card	Separate Control Unit 7 Segment LED Display: Temp., current, speed, run time (countdown) Operation: Run/stop, speed/run time adjustment dial Data logging device: SD card
Vessel	Processing Capacity: 7-13mL Volume: 20mL With jacket	Processing Capacity: 15-30mL Volume: 47mL With jacket
Approx. Weight	Main Unit: 23kg Mixing Head: 1.3kg	Main Unit: 18.5kg Control Unit: 5.5kg
Dimensions	W250 x D340 x H540mm	W250 x D300 x H500mm

*Rated value varies with speed. The value peaks at 6A, 30m/s and decreases with decreasing speed.



PRIMIX Corporation <http://www.primix.jp>

Headquarters 8-16-43 Ebie Fukushima-ku Osaka 553-0001 Japan
Osaka Plant Tel:+81-6-6458-7531 Fax:+81-6-6458-7850

Saitama Branch Office 2-8-40 Yoshino-dai Kawagoe-shi Saitama 350-0833 Japan
Saitama Plant Tel:+81-49-223-1621 Fax:+81-49-225-0189

Tokyo Branch Office 3-16-4 Shibaura Minato-ku Tokyo 108-0023 Japan
Tel:+81-3-3455-6011 Fax:+81-3-3455-6071

Nagoya Branch Office 2-9-16 Sakae Naka-ku Nagoya-shi Aichi 460-008 Japan
Tel:+81-52-253-6261 Fax:+81-52-201-233

Osaka Branch Office 5-6-16 Fukushima Fukushima-ku Osaka 553-0003 Japan
Tel:+81-6-6458-7533 Fax:+81-6-6453-2867

*The specifications, design, etc. contained in this catalog are subject to change without notice.

*The product photographs in this catalog are not to scale and should not be used for size comparisons.

